



Hygienic and watertight

- Hygienic design in compliance with HACCP guidelines.
- Finished in AISI-304 stainless steel.
- IP-68 protection against dust and liquids.
- With CE verification.



Functions:

- **Test function:** Indicates when a weighing exceeds or is less than the selected values.
- **Display luminosity:** The lighting intensity can be adjusted to adapt to the environment.
- **Back display:** Allows for simultaneous viewing by two operators.
- **Stability filter:** Adjusts reading speed to the ambience.
- **Auto power-off:** Powers off when not in use to save energy.





Watertight

Highly suitable for use in very damp environments, allowing it to be washed with water at moderate pressure.



Back display

Allows two operators to use it at the same time, saving space and reducing investment.



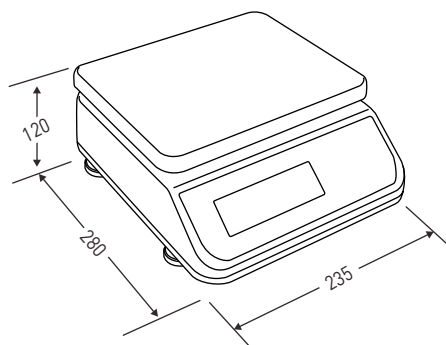
Hygienic design

The entire instrument is protected with silicone gel gaskets, making it perfectly watertight and facilitating the cleaning of residue.

Model	DX-3	DX-6	DX-15	DX-30
Reference	71143	71144	71145	71146
Capacity (g)	3,000	6,000	15,000	30,000
Resolution (g)	1	2	5	10
Power	110 - 240V / 50-60 Hz (Euro)			
Working temperature	-10°C - 40°C			
Battery duration	30 - 90 hours			
Visor	LED with adjustable lighting			
Segments	6 digits			
Digit height (mm)	14			
Weighing units	g, kg			
Material of the structure	Top part in AISI-304 stainless steel and bottom part in ABS			
Sealing protection	IP-68			
Dim. of weighing plate (mm)	236 x 197			
Product dim. (mm)	236 x 280 x 120			
Product net weight (kg)	3.4			
Packaging dim. (mm)	365 x 320 x 220			
Total weight with packaging (kg)	4.5			
RRP (€)				

External dimensions (mm)

DX



More information

<https://gram-group.com/product/gram-dx/>

gram-group.com