

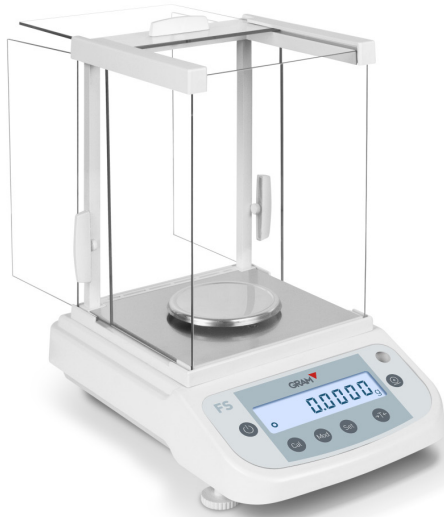
Precise and reliable analyses

- Analytical balance for laboratory.
- Ceramic-technology weight sensor.
- Ergonomic design for convenient weighing.
 - High-contrast LCD display.
 - Connection to printer or PC.



Functions:

- Percentage calculation of samples.
- Counting of small-size pieces.



Maximum accessibility

Upper hatch and sides for convenient access.



Stainless steel plate

Plate 90 mm in diameter.

Model	FS-120	FS-220
Reference	71165	71166
Capacity	120 g	220 g
Resolution	0.1 mg	
Linearity	+/- 0.4 mg	
Reproducibility	+/- 0.2 mg	
Eccentricity	+/- 0.2 mg	
Reading time	4 seconds	
Power	110V-265V, 50-60Hz, 2.0A	
Working temperature	+10°C - +30°C	
Heating time	8 h	
Calibration	external	
Weighing units	g, ct, lb, oz	
Interface	RS232C	
Air humidity	20% - 85%	
Dim. of weighing plate (mm)	90 Ø	
Dim. of weighing chamber	185 x 180 x 230	
Product dim. (mm)	210 x 310 x 320	
Product net weight (kg)	4.4 kg	
Packaging dim. (mm)	370 x 485 x 450	
Total weight with packaging (kg)	7.2 kg	
RRP (€)	---	---

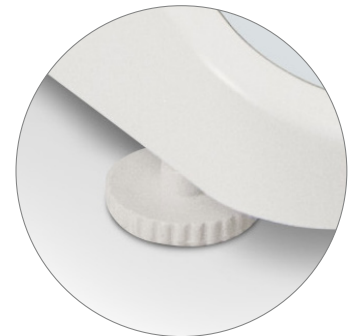
Display

Easy-reading backlit LCD display with large 17-mm digits.



Connectivity

RS 232-C data output, compatible with printer or PC.

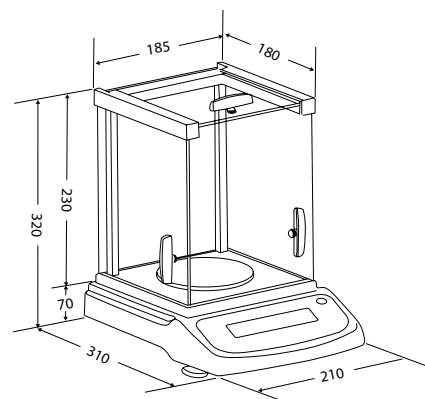


Level feet

Non-slip, for setting the balance in a horizontal position and preventing sliding during daily use.

External dimensions (mm)

FS-120
FS-220



Ref.	Accessories	RRP (€)
70034	PR4 printer (RS-232)	---
36764	RS-232 cable to PC	---
36759	RS-232 cable to Printer	---