



## Adaptable weighing bars

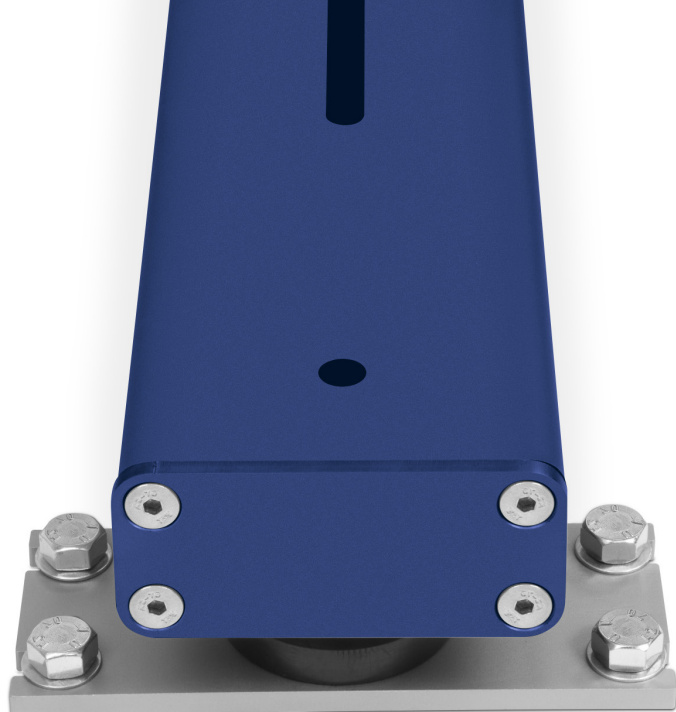
- For weighing long objects easily.
- For weighing stiff structures, animal cages. Built-in top anchoring piece.
- Produced in steel hot-coated in epoxy resin.
  - Check and sort products by weight using our 3-colour display..
  - Customisable ticket or label header and footer, also with date and time.



### Functions:

- Memory for 20 preset tares.
- Accumulation of weighings with aggregation.
- Memory for 100 items with alphanumerical code.
  - Piece-counting function with unit weight memory, up to 100 items.
  - Classification or verification by weight with viewing in 3 bright colours.
  - Customisable ticket or label header and footer, also with date and time.
  - GMP/GLP, Wireless, USB Direct, EX Link.





**Fixed assembly**

Optional plates allow for fixed assembly.

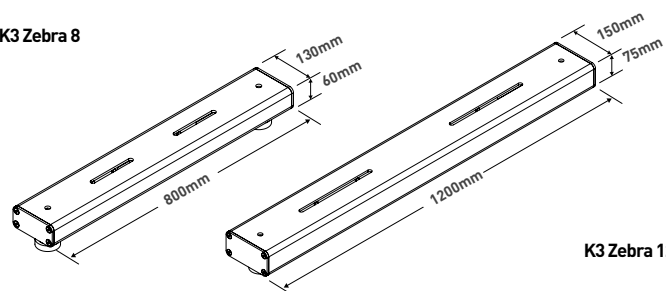


**Adaptable**

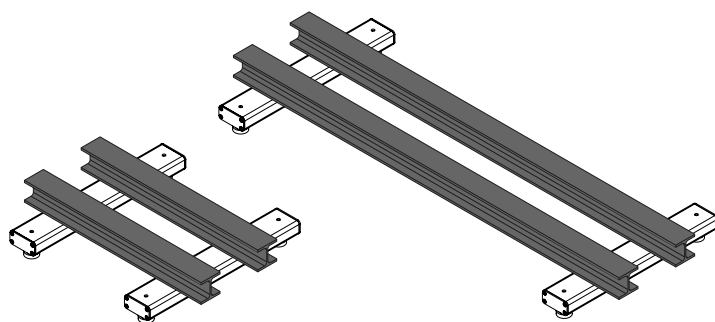
A high-capacity weight scale ready for installation in any structure.

**Dimensiones exteriores (mm)**

K3 Zebra 8



K3 Zebra 12



**No limits**

Capable of weighing very long objects, practically no length limit (up to 4 ; longer length available optionally).

Model	K3 Zebra 8-600	K3 Zebra 8-1.5T	K3 Zebra 8-3T	K3 Zebra 12-600	K3 Zebra 12-1.5T	K3 Zebra 12-3T
Reference	61010	61008	6382	61011	61009	6383
Capacity	600 kg	1.500 kg	3.000 kg	600 kg	1500 kg	3.000 kg
Resolution	200 g	500 g	1.000 g	200 g	500 g	1.000 g
Weight units	g, kg, lb, oz					
Display	Back-lighted LCD					
Acoustic warning	Yes					
Connectivity	RS 232-C, Wireless (optional)					
Transmission rate	1200, 2400, 4800, 9600, 19200, 38400, 57600, 115200 Baud					
Bit number and parity	8 Bits, no parity, 1 bit stop					
Power	230 V / 50 Hz (Euro) 11 V AC					
Battery	6V-5AH; Service time 25/60 hours depending on use					
Working temperature	+5°C / +35°C					
Sheet thickness	5 mm					
Structure	Steel coated in kiln-fired epoxy resin					
Load cells	4 IP65 nickel-plated steel load cells					
Platform dims. (mm)	130 x 800			150 x 1200		
Minimum height	105			105		
Maximum height	115			115		
Net weight of platform (kg)	12 x 2u.			25 x 2u.		
Package dims. (mm)	820 x 280 x 135			1220 x 320 x 135		
Total weight with packaging (kg)	25			52		



## ▶ K3i INDICATOR

Ref.	Model	Resolution
6171	K3i	100,000 divisions



## ▶ K3i Printer INDICATOR

Ref.	Model	Resolution
60960	K3i Printer	100,000 divisions



## ▶ SC2 INDICATOR

Ref.	Model	Resolution
5305	SC2 (*)	30,000 divisions



## ▶ K4i INDICATOR

Ref.	Model	Resolution
60136	K4i (*) <b>M</b>	30,000 / 60,000 div.



## ▶ K2 INDICATOR

Ref.	Model	Resolution
60018	K2 (*) <b>M</b>	60,000 divisions



## ▶ K2E INDICATOR

Ref.	Model	Resolution
60020	K2E (*) <b>M</b>	60,000 divisions



## ▶ K2N INDICATOR

Ref.	Model	Resolution
60019	K2N (*) <b>M</b>	60,000 divisions



## ▶ K2P INDICATOR

Ref.	Model	Resolution
60022	K2P (*) <b>M</b>	60,000 divisions



## ▶ VERIFICATION

Ref.	Certifications
8016	CE verification certificate from 301 kg to 600 kg (*) <b>M</b>
8031	CE verification certificate from 601 kg to 1500 kg (*) <b>M</b>
8032	CE verification certificate from 1501 kg to 3000 kg (*) <b>M</b>

Ref.	Certifications
8025	ISOCAL certificate from 301 kg to 600 kg
8029	ISOCAL certificate from 601 kg to 1500 kg
8030	ISOCAL certificate from 1501 kg to 3000 kg

**M** (\*) For verified units, "M" indicator and Verification certificate have to be included.

▶ INDICATOR OPTIONS

Ref.	Model
32330	3-relay output (K3, K3i)
32277	Second RS-232 output (K3, K3i)
3776	Wireless K connection (K3, K3i)
60033	RS-232 (K2, SC2)

▶ COLUMN BRACKETS / BASES

Ref.	Model
33207	ABS swivel base
3803	Stainless steel U tube base
32278	Stainless steel U wall support
31661	Wall support in painted steel with ABS swivel joint



Indicator not included.

Ref.	Model
3804	Painted steel base with column
3805	Stainless steel base with column
71337	Stainless steel base with K4i column

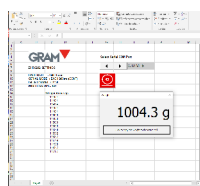
▶ CABLES

Ref.	Model
61084	Direct K USB cable
33205	RS-232 cable to RD3 or PC K, 1.5 m
3738	RS-232 cable to RD3 or PC K, 4 m
32294	RS-232 cable to K Printer
36767	RS-232 cable to PC (K2, SC2)
36766	RS-232 cable to Printer (K2, SC2)
36857	RS-232 cable to PC (K4i)
36858	RS-232 cable to Printer (K4i)



▶ SOFTWARE

Ref.	Model
3792	EX-Link software for PC (**)



Ref.	Model
4877	PW-Link software for PC (***)



▶ PERIPHERALS

Ref.	Model
70814	Q2 labelling machine
70034	PR4 printer (RS-232)
70035	PR4W printer (Wireless)



Q2 labelling machine.

Ref.	Accessories for labelling machines
36904	Q2 70x58mm label roll



PR4 printer.

Ref.	Model
5263	RD3 repeater indicator (RS-232)
6950	RD3W repeater indicator (Wireless)



Ref.	Model
32332	Tare pedal (****)

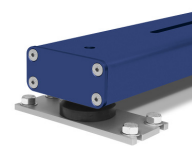


Ref.	Model
60210	LED traffic light with relay board



▶ PLATFORM ACCESSORIES

Ref.	Model
33745	Fixed Feet Plates (4u.)



[\*\*] Compatible with Z3, K3, K3i, S2, S3-RS, S5i-RS.

[\*\*\*] Compatible with Z3, K3, K3i, K3i Printer, MK3, MK3 Printer, S2, S3, S5i, S7i.

[\*\*\*\*] Compatible with K2, K3, K3i, K3i Printer, MK3, MK3 Printer, S2, S3, S5i, S7i.