



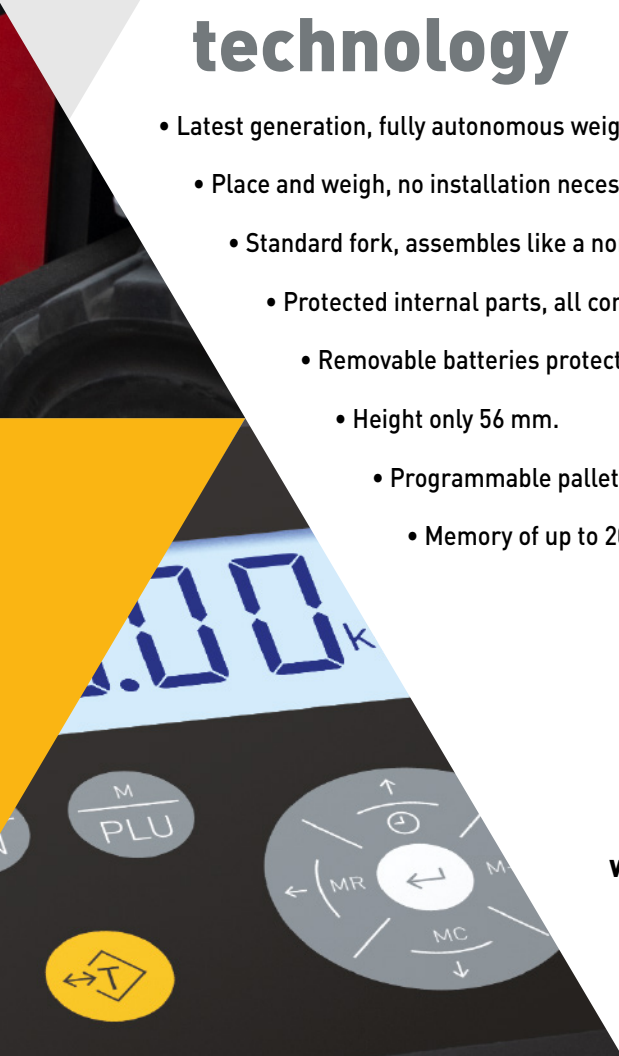
Forklift scales with Xtrem WiFi technology

- Latest generation, fully autonomous weighing, with cable-free WiFi technology.
- Place and weigh, no installation necessary.
 - Standard fork, assembles like a normal fork on the positioners.
 - Protected internal parts, all components are inside the fork.
 - Removable batteries protected inside the structure.
 - Height only 56 mm.
 - Programmable pallet overload warning.
 - Memory of up to 20 tares.



WiFi indicator in the cabin

WiFi connection with our indicator located in the cabin. The indication screen offers advanced functions, such as tare memory to memorise the type of pallet used.





Low fork height

With a fork height of only 56 mm and no external components, the Bull Xtrem is virtually the same as a standard fork on a forklift, which means you can work even with special or poorly maintained pallets.



Compact and strong

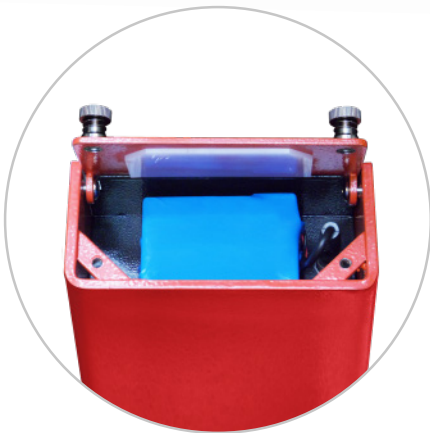
Bull Xtrem is slender and slim, very suitable for working. You forget you have a weighing fork, as it has the same capacity and reliability. All the weighing components are inside the structure, totally protected from impacts or scratches.



Intuitive operation

Using it is highly intuitive: The indicator and the 2 forks start in any order, and the equipment is ready to weigh in a few seconds.

Its 2 batteries are housed in the upper part, with very strong covers. They are easy to remove for external charging. The indicator recharges separately, being easily detached from its base (it can also be powered from the truck battery with our optional 24 V adapter).



Removable batteries

Our new Bull Xtrem is powered by compact rechargeable batteries, which install in a few minutes and allow 72 hours of continuous work, 9 days of normal work (*)

() Fork battery life: 72 hours*



Indicator bracket in cabin

The indicator bracket is adjustable at all angles for easy viewing in the cabin.



Pallet weight memory

Its 20-tare memory stores the weight of different pallet types, to be deducted from the net weight shown on the display.

Pallet overload warning

It has a programmable overload warning device, whereby the display shows a yellow or red colour if one of the pallets exceeds the maximum weight selected. Thus, a simple visual control is all that is needed to check if the pallets are below the maximum allowed weight.



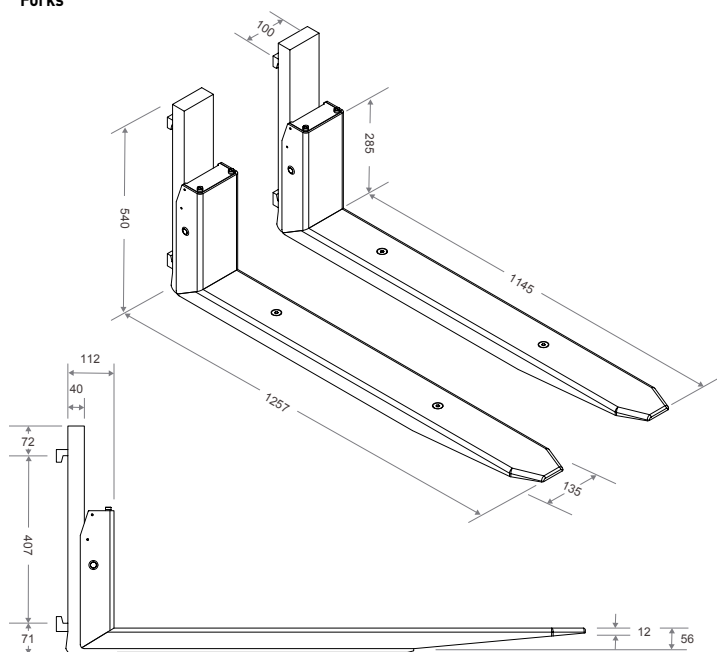
Model	BULL 2T
Reference	71649
Capacity (**)	2000kg
Resolution	1000g
Weighing units	kg
Indicator material	ABS
Display	6-digit backlit LCD
Digit height (mm)	25
Internal connectivity	Wifi
Indicator sealing protection	IP-65
Fork sealing protection	IP-54
Power	230 V / 50 Hz (Euro) 11 V AC
Battery life indicator	45 hours
Fork battery life***	72 hours
Working temperature	+5°C / +35°C
Fork material	Upper: epoxy painted steel. Steel base with protective layer
Load sensor	4 x Rebel H8C type load cells
Fork attachment type	FEM2
Fork dimensions (mm)	1257 x 540 x 135
Fork height (mm)	56
Total net weight (kg)	120
Indicator dimensions (mm)	220 x 182 x 86
Packaging dimensions (mm)	1400 x 800 x 200

** Specified at load centre
*** Connected 8 hours a day with 15% occasional usage.

Ref.	Options
32349	24 V adapter for BULL

External dimensions (mm)

Forks



External dimensions (mm)

Indicators

